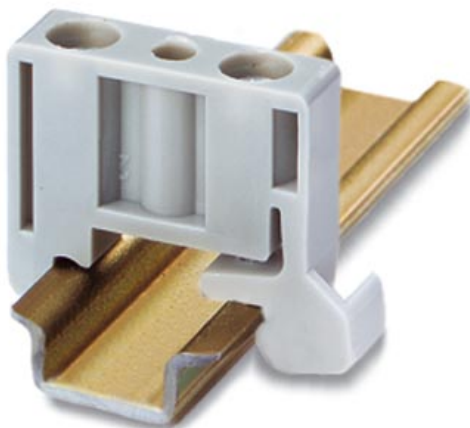


Please note that the data given here has been taken from the online catalog. For comprehensive information and data, please refer to the user documentation at <http://www.download.phoenixcontact.com>. The General Terms and Conditions of Use apply to Internet downloads.

## ► Extract from the online catalog

End bracket, width: 6 mm, color: gray



Order No.	1421659
Ord designation	E/MK 1
EAN	4017918021573
Pack	100 Pcs.
Customs tariff	85369010
Catalog page information	Page 442 (CL-2005)

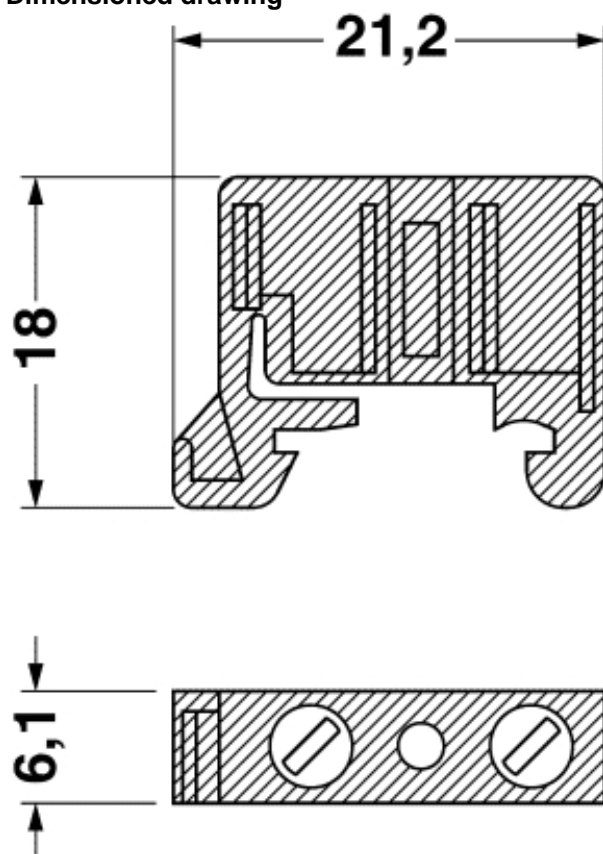
## ► Technical data

### General

Length	21.2 mm
Width	6 mm
Color	gray
Inflammability class acc. to UL 94	V2
Material	PA
Temperature indices (RTI/TI)	125/100

► Drawings

Dimensioned drawing



---

## ► Accessories

---

Item	Designation	Description
<b>Assembly</b>		
1401682	NS 15 PERF 2000MM	DIN rail, material: steel, perforated, height 5.5 mm, width 15 mm, length: 2 m
1401695	NS 15 UNPERF 2000MM	DIN rail, material: Steel, unperforated, height 5.5 mm, width 15 mm, length: 2 m
1401763	NS 15-AL GELOCHT METER	DIN rail, material: Aluminum, perforated, height 5.5 mm, width 15 mm, length: 2 m

---

---

## ► Address

---

PHOENIX CONTACT Inc., USA  
586 Fulling Mill Road  
Middletown, PA 17057  
USA  
Phone (800) 888-7388  
Fax (717) 944-1625  
<http://www.phoenixcon.com>  
Phoenix Contact  
Technical modifications reserved;